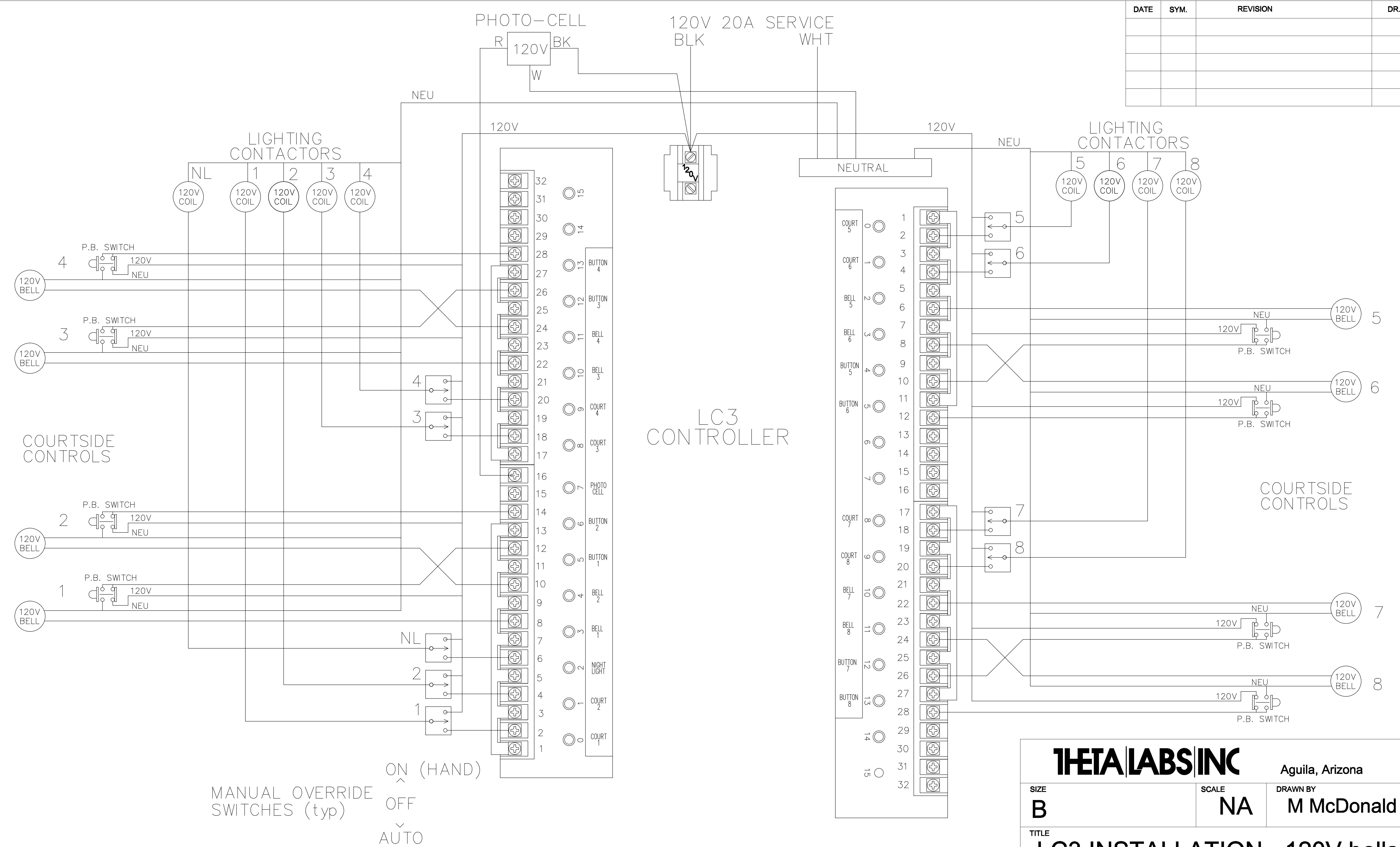


DATE	SYM.	REVISION	DR.



MANUAL OVERRIDE SWITCHES (typ)

ON (HAND) ^

OFF

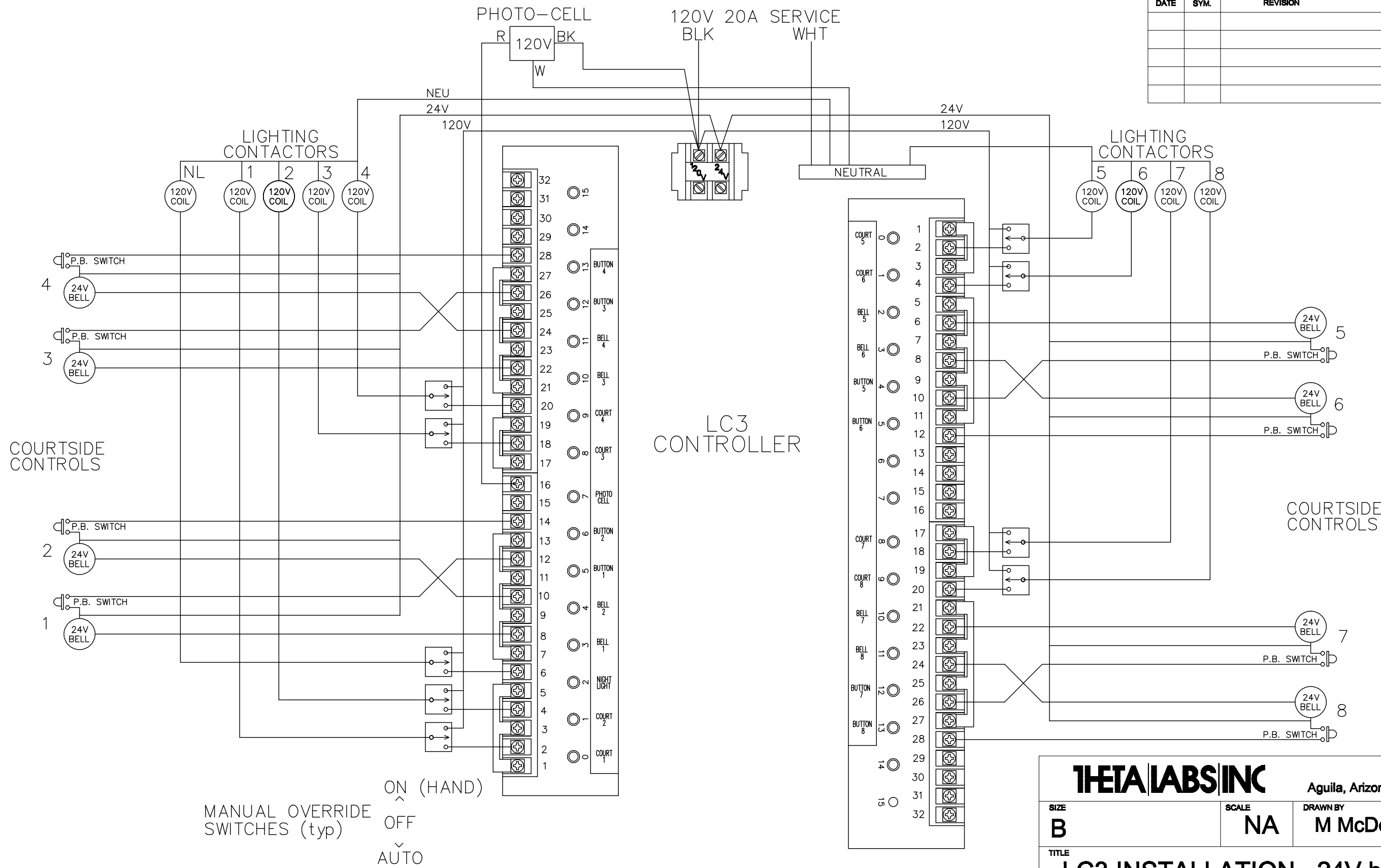
^

AUTO v

NOTES: Only wiring to be added by installer is shown. Factory connections not shown. LC3-8 (8-zone) controller shown. For LC3-2, -4, -6 ignore zones not used.

<b>THETA LABS INC</b>		Aguila, Arizona
SIZE <b>B</b>	SCALE <b>NA</b>	DRAWN BY <b>M McDonald</b>
TITLE <b>LC3 INSTALLATION - 120V bells</b>		
DATE <b>2011 Nov 5</b>	DRAWING NO. <b>09-006/1</b>	

DATE	SYM.	REVISION	DR.



NOTES: Only wiring to be added by installer shown. Factory connections not shown  
 LC3-8 (8-zone) controller shown. For LC3-2, -4, -6 ignore zones not used.

<b>THETA LABS INC</b>		Aguila, Arizona
SIZE <b>B</b>	SCALE <b>NA</b>	DRAWN BY <b>M McDonald</b>
TITLE <b>LC3 INSTALLATION - 24V bells</b>		
DATE <b>2011 Feb 11</b>	DRAWING NO. <b>09-006/2</b>	